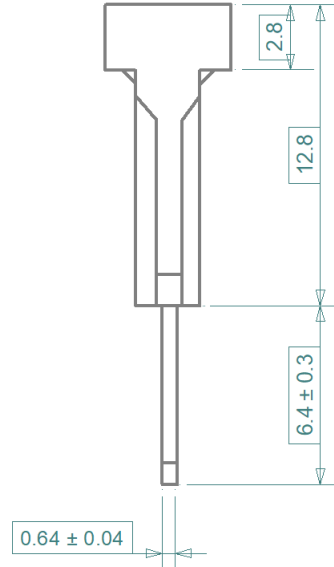
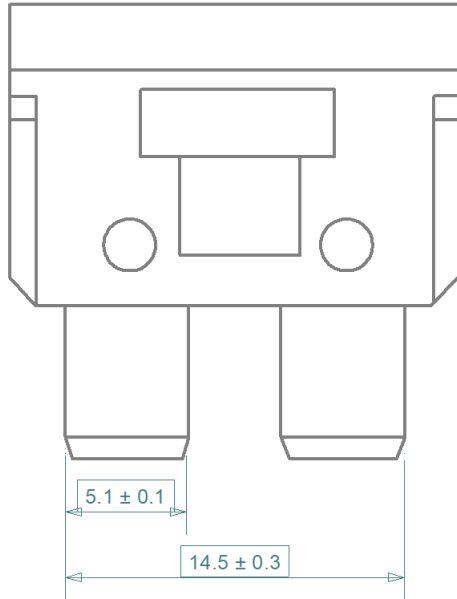


Note: Current rating printed in white OCR-A font on top of fuse.



Rating [ A ]	Color	Volt [ V ]	iMaXX Reference
1	Black	32	F1501 *
2	Grey	32	F1502
3	Violet	32	F1503
4	Pink	32	F1504
5	Tan	32	F1505
7.5	Brown	32	F1575
10	Red	32	F1510
15	Blue	32	F1515
20	Yellow	32	F1520
25	Natural	32	F1525
30	Green	32	F1530
35	Dark green	32	F1535
40	Orange	32	F1540

\* ISO 8820-3, 135% load not applicable for this rating

Fusing time DIN ISO 8820-3 [s]		
Load [%]	Minimum [s]	Maximum [s]
110 %	360,000	-
135 %	0.75	600
160 %	0.25	50
200 %	0.15	5
350 %	0.04	0.5
600 %	0.02	0.1

Revisions			Date	Appr.	
	Date	Type	Drawn	01/20	GRH
a	05/07	re-drawn	Checked	01/20	EB
b	07/11	updated DIN to ISO	Standards		
c	03/12	updated dimensions	Approved	01/20	AdH
d	10/12	updated dimensions			
e	03/13	added 35A rating	Scale 3 : 1		
f	01/20	added 1A and 2A ratings	Projection	Tolerance ± 0.2 mm unless otherwise noted	



Title	F1500 series, normOTO blade fuse, OCR		
Drawing type	schematic		
Drawing number	F1500 drawing 1		
Sheet	1 of 1		
Layers	01	2	6 9